

New

Companion

An all-round speech amplifier for people with or without hearing instruments.

Companion is a personal, flexible assistive listening device. It is suitable in many situations, such as during conversation, when listening to TV, at conferences, in public premises with an inductive loop etc. Companion is also very useful to have handy, for example at hospitals and care institutions, as a temporary aid during the patient's stay or visit. Hearing instrument users listen via a neck loop and those without hearing instruments can choose from different types of headsets.

NEW! Now with technique that reduces the risk of unpleasant feedback in the device.



ReSound

rediscover hearing

Companion - a flexible listening device

Easy usage

The idea behind Companion is that it should be easy to use. That is why it has large and robust controls. The procedure for changing the batteries is simple and the operating time is long.

Built-in telecoil

Because of the built-in telecoil, Companion is excellent to use in public premises with inductive loops.

Switch between microphone/telecoil

With the switch M/T it is easy to change between using microphone or telecoil. Moreover, the switch can be locked in the Microphone position.

Listening to TV

Companion is very good to use as an extra amplifier of the TV sound. Attach a microphone to the TV and connect it to Companion. The user gets a system that is easy to carry around.

A good conference aid

At smaller meetings and conferences Companion is an excellent choice. Companion is placed on the table and the omni-directional microphone picks up the sound.

Speech amplifier in the car

The car is often a difficult environment for hearing-impaired persons. Place a lapel microphone on the other person and connect it to Companion. Thus, a good speech amplification is attained, with the background noise less disturbing.



Ordering information

Companion, silver (with headphones)

Ordering number: 200 21 50

Companion, black (with headphones)

Ordering number: 200 20 36



Accessories

Directional microphone

This microphone is designed to reduce the background noise. It is inserted in the microphone socket of Companion.

Ordering number: 200 60 12

Lapel microphone EM

The lapel microphone is practical to use when the hearing-impaired person is talking to someone. The person whom the hearing-impaired is talking to attaches the microphone to his/her clothes with the enclosed clip.

Ordering number: 411 03 15

Microphone FXT/TV

This microphone is attached with velcro tape to the loudspeaker of the TV, radio or stereo. It is also possible to place it on a table.

Ordering number: 200 60 13

Neck loop, 2-channel

With a neck loop, the person using a hearing instrument can pick up the sound. This neck loop also has two channels, which means that the sound is transmitted from both the left and the right channel of the sound source, giving a mono signal in the loop. The neck loop has a 3.5 mm plug and can therefore be connected to most MP3 players, stereos etc.

Ordering number: 200 22 26

Headphones

These headphones are included when buying Companion. Those who do not have a hearing instrument can use the headphones. It is easy to adjust the size, but if an even smaller size is required, or for additional wearing comfort, it is possible to buy a pad for the head strap. The pad is attached on the inside of the head strap.

Headphones, Ordering number: 200 60 20

Head strap pad, Ordering number: 200 20 72

In-the-ear headphones

As an alternative to the headphones, you can connect these in-the-ear headphones to Companion.

Ordering number: 200 60 10



Technical data

Companion speech amplifier

Max acoustic gain:	60 dB (can be reduced with 16 dB with gain control).
Max acoustic output:	125 dB SPL.
Frequency range:	200 Hz – 10 kHz.
AGC:	Yes.
Bass reduction:	-10 dB vid 200 Hz.
Telecoil sensitivity:	93 dB SPL, 1 kHz, 10 mA/m.
Current consumption:	Without load 7 mA. With 32 ohms earphones 10-15 mA.
Battery life:	Approx. 200 hours.
Type of batteries:	2 x 1.5 V penlight (LR6/AA).
Weight:	94 g (including batteries).

MANUFACTURER

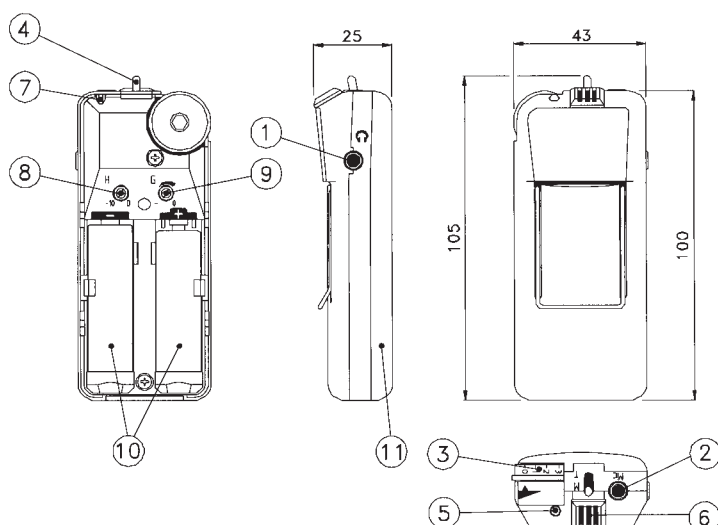
*in the sense of EU Medical
Device Directive 93/42/EEC:*

GN ReSound A/S
Lautrupbjerg 7
DK-2750 Ballerup
Danmark



*Any issues relating to the EU
Medical Device Directive 93/42/EEC
should be directed to GN ReSound
A/S.*

*Service and product-related
questions: contact GN
ReSound AB ALD Division.*



1. Socket for earphones
2. Socket for external microphone
3. Volume control
4. Microphone and telecoil switch
5. LED
6. Built-in microphone
7. Lock for microphone position
8. Bass reduction
9. Gain control
10. Battery compartment
11. Battery cover

9940129 Issue 6, 2011-03

We reserve the right to make changes in performance and specification without prior notice.

www.gnresound-ald.com

GN ReSound AB ALD Division
Box 12874
SE-112 98 STOCKHOLM
Sweden

Tel. +46 8 441 16 70
Fax +46 8 441 16 80
info.ald@gnresound.se

ReSound

rediscover hearing